



SmartLock with DX2-DH2C2

Model Number: DX2-DH2C2

SmartLock is an electronic door access and control system for all types of data center enclosures.

Supported Components

DX2-DH2C2 door handle controller supports the following components::

Managing Devices	PX3	
	PX3TS	
	PXC	
	SRC	
	Legrand PDU	
Xerus Version	3.6.10 and up	
Door Handles	Southco H3-EM-60-100	Emka Agent E
	Southco H3-EM-62-100	Emka 1150-U5x
	Southco H3-EM-64-100	Dirak eLine MLR1000
	Southco H3-EM-65-100	Dirak eLine MLR2X00
	Southco H3-EM-66-100	Dirak eLine MLR2000KP
	Southco H3-EM-67-100	
	Southco H3-EM-68-100	

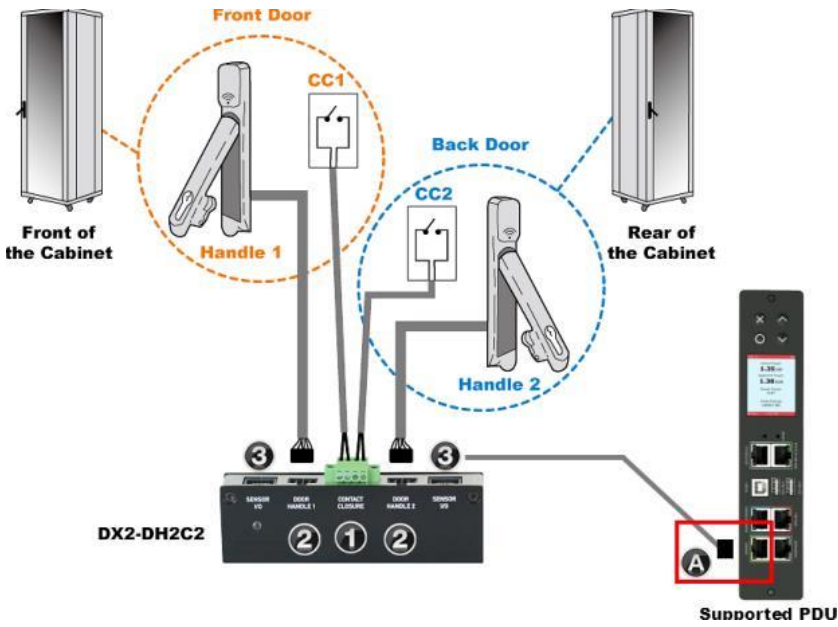
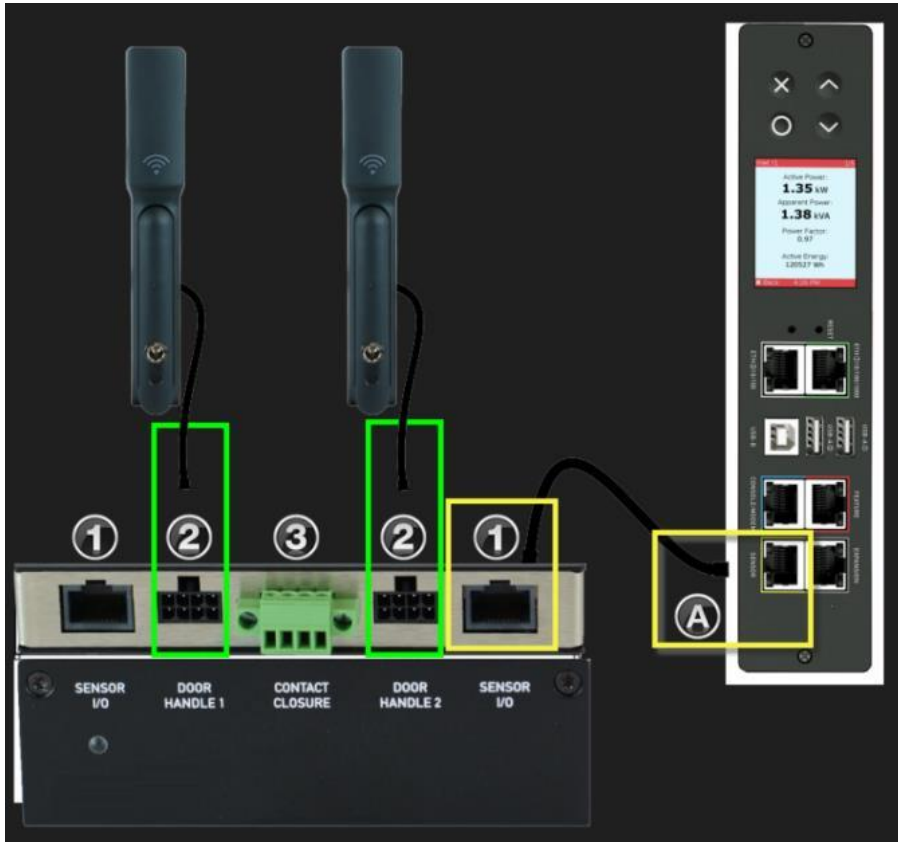
Restrictions for DX2-DH2C2

- Always connect DX2-DH2C2 directly to the sensor port. If you are cascading with other sensors, the DX2-DH2C2 must be in the first position, directly connected to the sensor port.
- Max. of 1 DX2-DH2C2 with up to 2 electronic door handles per Sensor port
- Max. cable length PDU to DX2-DH2C2: 5m
- Max. cable length DX2-DH2C2 to door handle: 4m
- No support for hot-plugging door handles. Door handle must not be plugged or unplugged from DX2-DH2C2 while contacts are powered.



Risk of equipment damage.

DX2-DH2C2 Installation

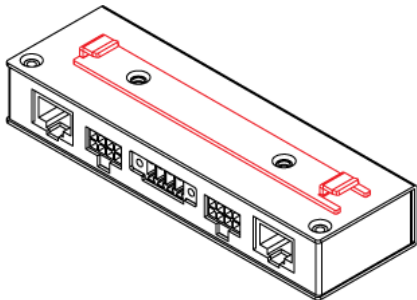


3	<p>SENSOR I/O</p> <p>RJ-45 ports</p> <p>Use a standard category cable to connect to the PX3, PX3TS, PXC, SRC, or Legrand supported managing product port. A</p>
2	<p>DOOR HANDLE 1 - DOOR HANDLE 2</p> <p>Electronic door handle ports</p> <p>Use wiring provided with your door handles.</p> <p>Connect the 8-pin connector end to the door handle port.</p>
1	<p>CONTACT CLOSURE</p> <p>Contact closure sensor channels</p> <p>CC sensors and wiring not included.</p> <p>Connect CC sensors according to their instructions.</p>

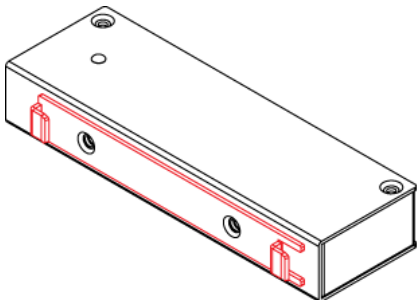
Bracket Installation

You can install the bracket accompanying DX2-DH2C2 in order to hang or fasten it properly on an object or position. The bracket can be installed either onto the bottom of DX2-DH2C2 or onto one of its sides.

► **Bracket installed onto DX2-DH2C2's bottom:**



► **Bracket installed onto the side of DX2-DH2C2:**



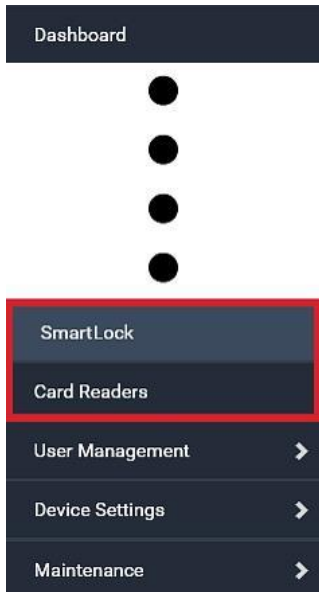
Next Steps

Once the physical connections are complete, login to your supported managing device to use door handle features in the web interface.

Web Configuration

Peripherals

- SmartLock menu option is seen on main menu once door handle are connected, and the Card Readers option appears when door handle with integrated card reader is configured.
- In the Peripheral Devices page, two door handles, door locks, and doors are added automatically.



SmartLock

- Click Smart Lock in the Main menu to open the Door Handle options.
- The Smart Lock Controller section on top displays the physical connection to the DX2-DH2C2.

- Door Handle 1 and Door Handle 2 correspond to the labels on the sensor.

SmartLock Controller (1GE0000008)

Details

Position	Port 1, Hub port 1, Chain position 1
Serial number	1GE0000008

Door Handle 1 ⏻ Open ⏹ Close

Door State ⬆

Name	State	Type
Door 1	closed	Door
Door Lock 1	closed	Door Lock
Door Handle Lock 1	closed	Door Handle Lock

Card Reader ⬇

Settings Edit Settings

Door handle type	SouthCo H3-EM
Auto relock time	10 minutes
Door sensor polarity	Normally closed
Relock on handle close	Always
Connected device	None

Door Handle 2 ⏻ Open ⏹ Close ✖

Door State ⬆

Name	State	Type
Door 2	closed	Door
Door Lock 2	unavailable	Door Lock
Door Handle Lock 2	unavailable	Door Handle Lock

Settings Edit Settings

Door handle type	None
Door sensor polarity	Normally closed
Relock on handle close	Always
Connected device	None

Settings

- Click Edit settings.
- **Door Handle Type:** Select your door handle's model.
 - If your specific Southco H3-EM model is listed, select it. For all other supported Southco H3-EM models, select "Southco H3-EM".

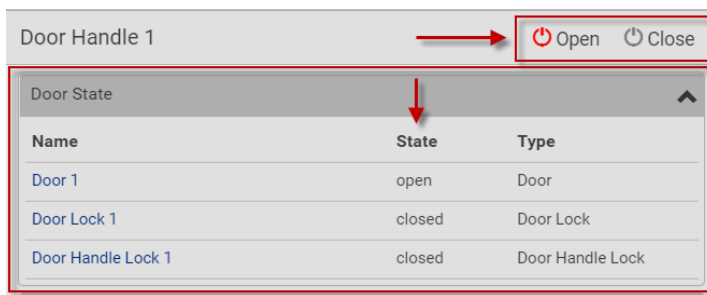
Settings Edit Settings

Door handle type	<div style="border: 1px solid #ccc; padding: 2px;"> <div style="border-bottom: 1px solid #ccc; padding: 2px;">None</div> <div style="padding: 2px;">Dirak eLine MLR1000</div> <div style="padding: 2px;">Dirak eLine MLR2x00</div> <div style="padding: 2px;">EMKA Agent-E</div> <div style="padding: 2px;">EMKA-1150</div> <div style="padding: 2px; background-color: #007bff; color: white;">None</div> <div style="padding: 2px;">SouthCo H3-EM</div> <div style="padding: 2px;">SouthCo H3-EM-60</div> <div style="padding: 2px;">SouthCo H3-EM-66</div> </div>
Timeout	
Door sensor polarity	

- **Timeout:** Specify how long the **door handle lock** can remain open after someone opens the door handle via a smart card or via remote control using the software. When the timeout expires, the door handle lock will be automatically closed. Default is 600 seconds (that is, 10 minutes).
- **Door Sensor Polarity:** Choose the correct setting based on the type of contact closure sensors used to monitor the door:
 - Normally closed: The contact is closed (conducting) when the door is closed and open (not conducting) when the door is open. **Default.**
 - Normally open: The contact not conducting when the door is closed and conducting when the door is open.

Note: For both normally closed and normally open sensors, the reported state is "open" when the door is open and "closed" when the door is closed.

- **Relock on Handle Close:** This setting controls auto-locking of door handles. Select "Only if door closed" to delay auto-locking of door handles until "Door State" and "Door Lock State" are both verified as "Closed". Select "Always" to relock door handles automatically.
- **Connected Device:** If your door handle has a connected device, such as a keypad, select it from the list.
- Save your changes.
- Once the Door Handle State and Type is detected, the information populates in the Door state section.



- Optional: You can rename each Door Handle component by clicking the item and editing settings.
- After these configurations, return to the Peripherals Devices page. This page now displays state, type and Position options for each configured component.

# ▲	Name	Reading	State	Type	Serial Number	Position	Actuator
1	Door 1		open	Door	1GE8200068	Port 1, Chain Position 1, Channel 1	
2	Door 2		unavailable	Door	1GE8200068		
3	Door Lock 1		closed	Door Lock	1GE8200068	Port 1, Chain Position 1, Channel 1	
4	Door Lock 2		unavailable	Door Lock	1GE8200068		
5	Door Handle Lock 1		closed	Door Handle Lock	1GE8200068	Port 1, Chain Position 1, Channel 1	✓
6	Door Handle Lock 2		unavailable	Door Handle Lock	1GE8200068		✓

Optional Setting: Unlock Front and Rear Doors Simultaneously

By default, the configuration is set to unlock only one lock at a time to preserve power. You must change the Active Powered Dry Contact Limit to 2 if you require unlocking the front and rear door simultaneously at the rack.

- Click PDU in the Main menu. Click Edit and change the setting as shown.

- For SRC, the same settings are available on the SRC page.



Note: With some door handles, while you open and close one door handle, the second door handle is powered off briefly to conserve power. Once the first door handle is closed and locked, power resumes to the second handle and it is ready to use.

SmartLock Kits

Southco Door Lock Kits	EMKA Door Lock Kits
SML-KIT-CARD-04: 2 H3EM-66, DX2-DH2C2	SML-KIT-EKA-AGE-1D: 1 EKA-AgentE, DX2-DH2C2
SML-KIT-CARD-05: 2 H3EM-66, DX2-DH2C2, Retrofit KIT	SML-KIT-EKA-AGE-2D: 2 EKA-AgentE, DX2-DH2C2
SML-KIT-SCO-60-2D: 2 H3EM-60, DX2-DH2C2	SML-KIT-EKA-AGE-1DL: 1 EKA-AgentE-L, DX2-DH2C2
SML-KIT-SCO-62-2D: 2 H3EM-62, DX2-DH2C2	SML-KIT-EKA-AGE-2DL: 2 EKA-AgentE-L, DX2-DH2C2
SML-KIT-SCO-64-1D: 1 H3EM-64, 1 H3EM-60, DX2-DH2C2	SML-DRK-MLR2500
SML-KIT-SCO-64-2D: 2 H3EM-64, DX2-DH2C2	SML-DRK-MLR2500K
SML-KIT-SCO-65-1D: 1 H3EM-65, 1 H3EM-60, DX2-DH2C2	
SML-KIT-SCO-65-2D: 2 H3EM-65, DX2-DH2C2	
SML-KIT-SCO-66-1D: 1 H3EM-66, 1 H3EM-60, DX2-DH2C2	
SML-KIT-SCO-66-2D: 2 H3EM-66, DX2-DH2C2	
SML-KIT-SCO-67-1D: 1 H3EM-67, 1 H3EM-60, DX2-DH2C2	
SML-KIT-SCO-67-2D: 2 H3EM-67, DX2-DH2C2	
SML-KIT-SCO-68-1D: 1 H3EM-68, 1 H3EM-60, DX2-DH2C2	
SML-KIT-SCO-68-2D: 2 H3EM-68, DX2-DH2C2	

Cables and connectors included in all kits.